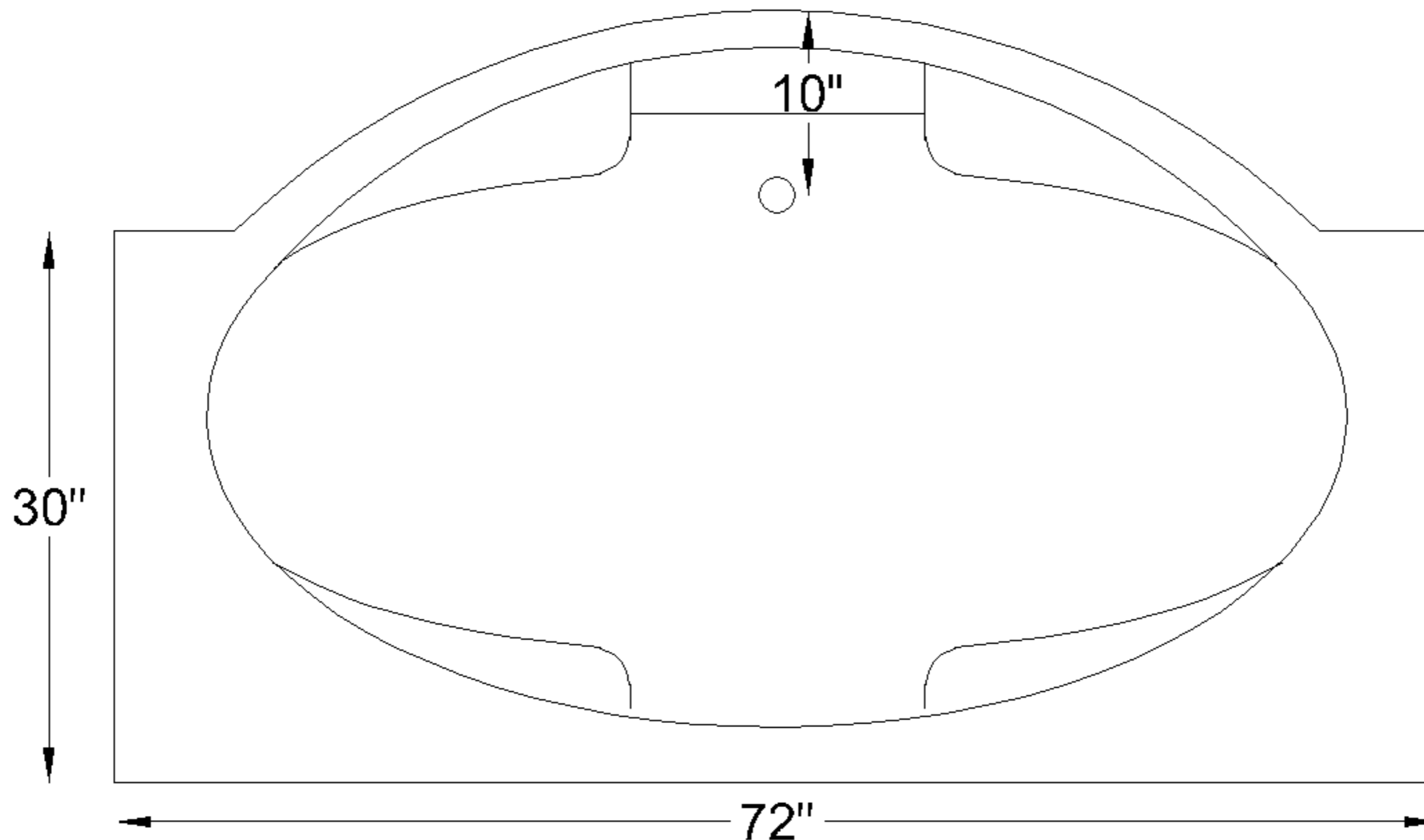


TOLL FREE: 1800 833 7890

MODEL ID: U345ENI



MODEL NAME:	UNICORN
Size (mm):	1800 L x 1066 W x 440 H
Material:	Acrylic
Features:	Anti-Skid Base Surface
Accessories Included:	Suction based head-rest x 2, Push to open & close drain.
Finish Type:	Glossy



- Standard bottom waste is included, and overflow waste can be included on request.
- Order of Freestanding, Whirlpool, Combi-Massage, Fully Loaded Variations will include one front panel. If any additional panel or customization is required, the same can be done on demand.
- For installation follow our installation guides. Any additional provisional or technical knowhow will be provided if required.